

Case of success: *Carcassonne Hospital* Aude-France

EZ Basket trays & PG Cable trays





12.036 meters of cable tray
6.018 supports
2.985 meters of procile

The hospital center area

1060 chemin de la Madeleine
11010 CARCASSONNE Cedex (France)

The **Carcassonne Hospital Center** is a modern hospital with 449 beds with an area of more than 53,000 m² and was opened on 15th of June 2018 by Ms Agnès BUZYN, Minister of Health.

Activities:

- General medicine
- Surgery
- Obstetrics
- Conventional hospitalization, day and week
- Shared consultation platform
- An advanced technical platform with:
 - 1 MRI,
 - 2 scanners,
 - 4 x-ray rooms,
 - 2 gamma cameras + P.E.T Scan reserve,
 - 9 operating rooms,
 - 1 coronarography room,
 - 5 work rooms (obstetrics),
 - 2 particle accelerators,
 - 24 dialysis stations.





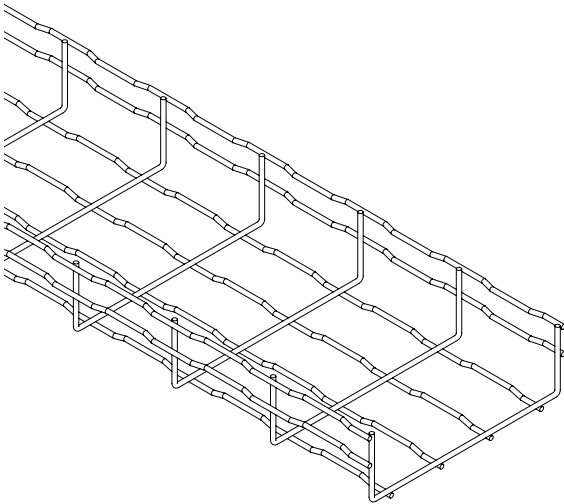
The total surface of this hospital complex is 59,209 m² with the French Blood Establishment, a sanitary boarding area, a point for waste management, the connecting gallery and also a land reserve for future expansions.

BASORFIL BFR

UNE-EN IEC 61537
REV.07/01/2020

DATA SHEET INSTALLED PRODUCT

BFR / BF



Models (BxH):

100x35; 150x35; 200x35; 300x35;
100x65; 150x65; 200x65; 300x65; 400x65; 500x65; 600x65;
100x105; 150x105; 200x105; 300x105; 400x105; 500x105; 600x105.

Finishes: EZ, HDG70

Characteristics of the cable tray:

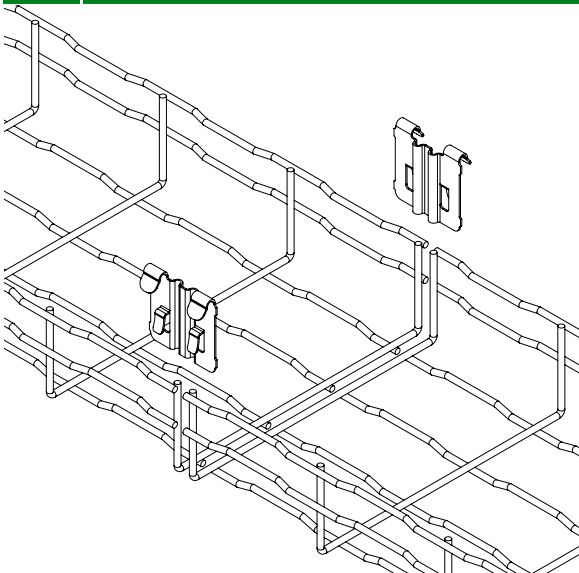
- Metallic
- Non-flame propagating component
- System with electrical continuity
- Electrically conductive component
- Minimum temperature of -50 °C
- Maximum temperature of 150 °C
- With metallic coating, resistance to corrosion:
 - EZ coating: class 3
 - HDG70 coating: class 7
- Impact Strength: 20J
- Comply with RoHS, 2011/65/UE

- Classification according to the base's free area:

Base Models	Classification
100	Y
150x35	Y
150x65/105	Z
200	Y
300	Y
400	Y
500	Y
600	Y



ASSEMBLING INSTRUCTIONS



- To assemble 2 trays 1 CGBF bolt&Staple Set is needed in each wing of the tray.
- For trays wider than 200 mm (8") an additional CGBF Bolt&Staple Set is needed in the center of the base.
- Models of 65 mm (2") and 105 mm (4") in height could use one Quick Joint URBF (or CULA Set) in each wing of the tray instead of CGBF Bolt&Staple Set.
- The tray can be mounted directly to horizontal supports with CTBF screws or to the ground with a M6 wall plug and staples GBF.
- Is recommended to install the union joints between L/4 to L/5 of the distance between supports.
- Tray installations for electrical systems should NOT run under other types of canalizations such as water, vapour or gas.
- To guarantee a good ventilation we recommend installing the trays keeping a minimum distance of 250 mm (10") between each tray.
- To allow optimal ventilation of the cables, trays placed on supports must be separated 20 mm (4/5") from the wall.

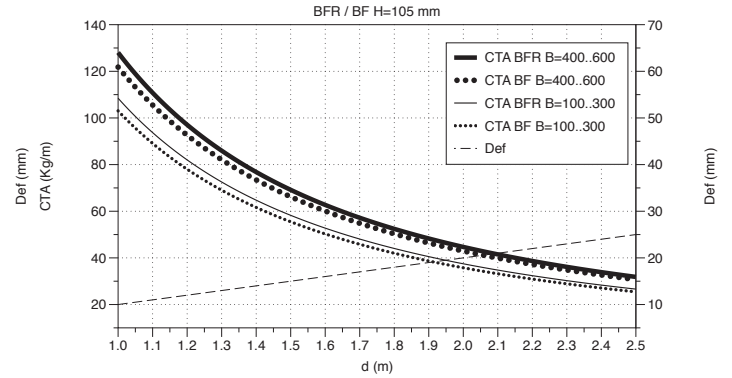
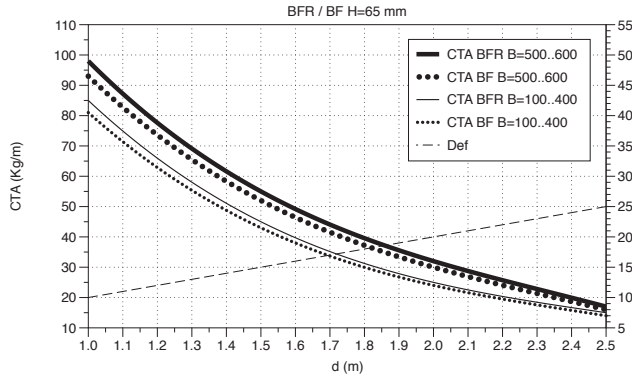
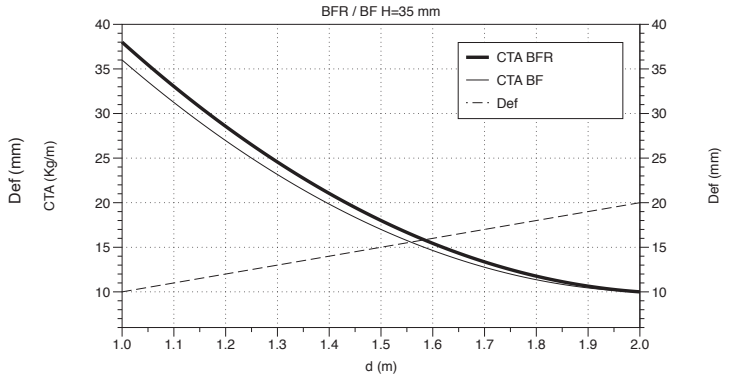
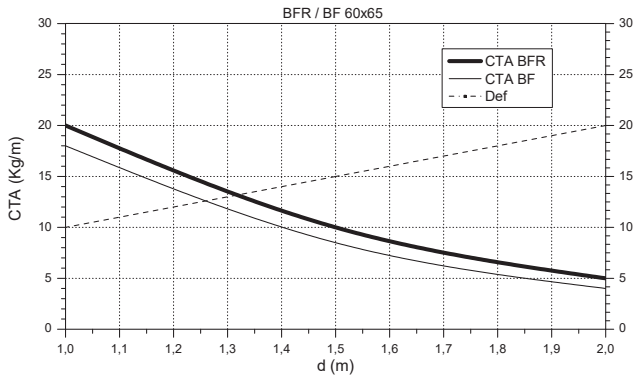
Accessories:

This product family has a wide range of accessories: Cover, divider PS, drop out plate BJC.

Union acc.: URBF Quick Joint, CGBF Bolt&Staple Set, CULA Set, CTBF Bolt Set and MU multiunion plate.

Support acc.: SSC, SL, simple SLS, Universal Box Support SUC, Mini Universal Box Support SUCM.

SAFE WORKING LOAD



Sizes & quantities
 100x65: 171 meters / 200x65: 2025 meters / 300x65: 1632 meters
 400x65: 297 meters / 500x65: 129 meters / 600x65: 198 meters

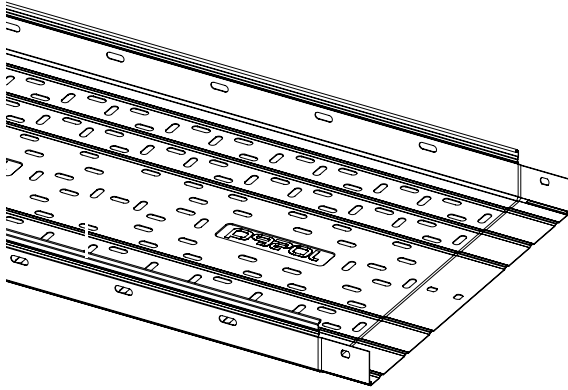
4.452 meters

BASORTRAY ERE

UNE-EN 61537
REV.20/04/2016

DATA SHEET INSTALLED PRODUCT

ERE



Models (BxH):

100x35; 150x35; 200x35; 300x35; 100x60; 150x60; 200x60; 300x60; 400x60; 500x60; 600x60; 100x80; 150x80; 200x80; 300x80; 400x80; 500x80; 600x80; 100x100; 150x100; 200x100; 300x100; 400x100; 500x100; 600x100.

Finishes: PG; HDG

Characteristics of the cable tray:

- Metallic
- Non-flame propagating component
- System with electrical continuity
- Electrically conductive component
- Minimum temperature of -50 °C
- Maximum temperature of 150 °C
- With metallic coating, resistance to corrosion:
PG coating: class 3
HDG coating: class 5
- Impact Strength: 20J

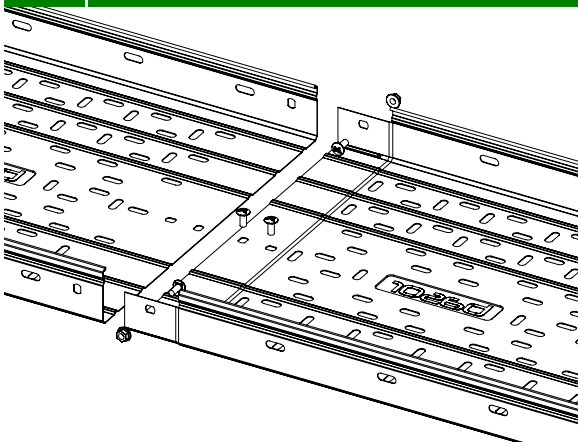


- Classification acc. to the free base Area:
Non-drilled tray: A

Drilled tray:

Base Models	Classification
100	C
150	C
200	C
300	C
400	C
500	D
600	D

MOUNTING INSTRUCTIONS

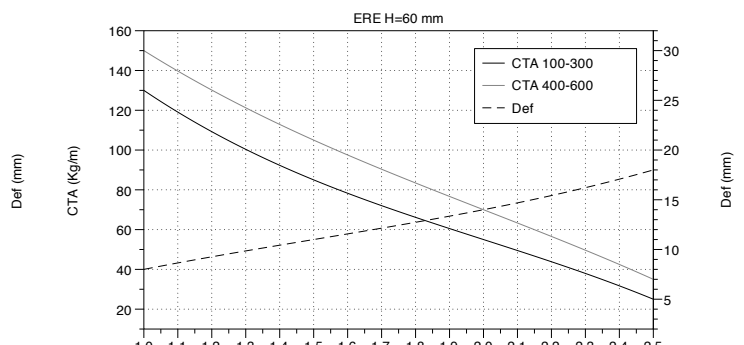
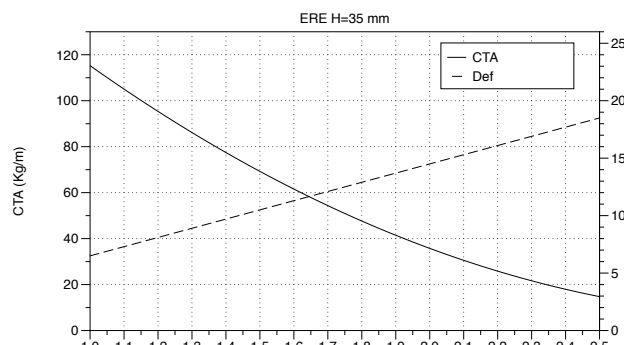


- Set up the self-assembly system 4 B1 bolt sets are needed for each cable tray and no union are needed.
- The tray installation for an electrical system should NOT run under other types of canalisations such as water, vapour or gas.
- To guarantee a good ventilation we recommend installing the trays keeping a minimum distance of 250 mm between each tray.
- Trays which are placed on supports shall have to keep a gap of 20 mm from the wall to allow for a correct ventilation of the cables.

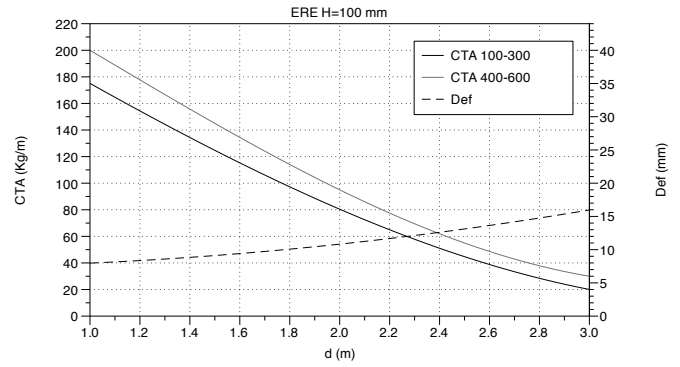
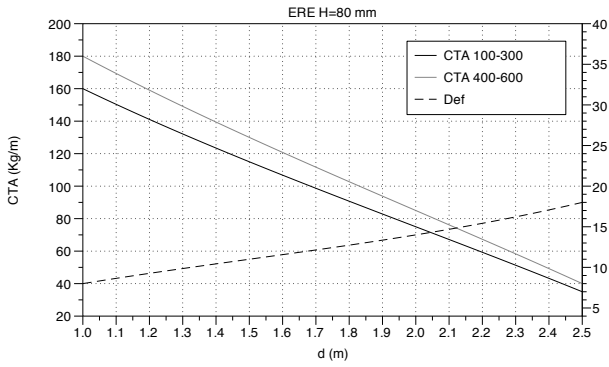
Accessories:

This family has large array of accessories: Cover, cover clamp, divider, horizontal bend, vertical inside/outside bends, T intersection, cross intersection, reduction, union joint plates, articulated union joints, horizontal angle joints.

SAFE WORKING LOAD



SAFE WORKING LOAD



Size & quantities
 100x60: 1425 meters / 200x60: 4323 meters / 300x60: 1584 meters
 500x60: 216 meters / 600x60: 36 meters

7.584 meters

Basor experience

Global hospitalary sector

Project	City	Country	Material
MONTERO GENERAL HOSPITAL	Montero	Bolivia	Basorfil BF2R EZ
HOSPITAL OF SUCRE	Sucre	Bolivia	Basorfil BF2R EZ
HOSPITAL OF ALCALÁ DE HENARES	Alcalá de Henares	Spain	Basortray ERE PG
HOSPITAL OF ALCALÁ DEL REAL	Alcalá del Real	Spain	Basorfil BFR EZ
HOSPITAL OF ALZIRA	Alzira	Spain	Basortray ERE PG + Basorfil BFR EZ
DEL TAJO HOSPITAL	Aranjuez	Spain	Basorplast BPI PVC
CRUCES HOSPITAL	Barakaldo	Spain	Basorfil BFR PG
CATALONIA GENERAL HOSPITAL	Barcelona	Spain	Basorfil BF2R EZ
BAIX LLOBREGAT HOSPITAL	Barcelona	Spain	Basorfil BFR HDG
SAN PAU HOSPITAL	Barcelona	Spain	Basorfil BF2R EZ
DEL MAR HOSPITAL	Barcelona	Spain	Basortray ERE PG
HOSPITAL OF BURGOS	Burgos	Spain	Basorfil BF2R EZ
HOSPITAL OF CEUTA	Ceuta	Spain	Basorfil BFR HDG
HOSPITAL OF CIUDAD REAL	Ciudad Real	Spain	Basorplast BPI PVC
HOSPITAL OF DENIA	Denia	Spain	Basorfil BFR HDG
HOSPITAL OF GANDIA	Gandia	Spain	Basorfil BFR EZ
PALMA DEL RIO HOSPITAL	Granada	Spain	Basorplast BPI PVC
DR. NEGRIN HOSPITAL	Las Palmasde GC	Spain	Basorfil BF2R EZ
HOSPITAL OF LEÓN	León	Spain	Basortray ERE PG
ARNAU DE VILANOVA HOSPITAL	Lérida	Spain	Basorfil BF2R EZ
HOSPITAL OF LLIRIA	Liria	Spain	Basorfil BF2R EZ
HOSPITAL OF LORCA	Lorca	Spain	Basorfil BFR HDG
NEW O'DONELL MATERNITY	Madrid	Spain	Basorfil BFR HDG
12 DE OCTOBER HOSPITAL	Madrid	Spain	Basorfil BFR EZ
VALLECAS HOSPITAL	Madrid	Spain	Basorfil BFR EZ
QUIRON MADRID HOSPITAL	Madrid	Spain	Basortray ERE PG
SAN JOAN DE DEU HOSPITAL	Manresa	Spain	Basorfil BFR EZ
HOSPITAL OF OLOT	Olot	Spain	Basorfil BF2R EZ
HUCA HOSPITAL	Oviedo	Spain	Basortray ERE PG + Basorfil BFR EZ
HOSPITAL OF SALAMANCA	Salamanca	Spain	Basortray ERE PG
HOSPITAL OF TOLEDO	Toledo	Spain	Basorfil BF2R EZ
HOSPITAL OF TORREJÓN	Torrejón	Spain	Basortray ERE PG + Basorfil BFR EZ
HOSPITAL OF VILLAJYOUSA	Villajoyosa	Spain	Basortray ERE PG + Basorfil BFR EZ
HOSPITAL OF CARCASSONNE	Carcassonne	France	Basortray ERE PG + Basorfil BF2R EZ
HOSPITAL CENTER EMILE ROUX	Le-Puy-en-Velay	France	Basorfil BFR HDG
ST. MICHAEL DE JACMEL HOSPITAL	Jacmel	Haiti	Basorplast BPI PVC
HOSPITAL OF PUERTO PRINCIPE	Puerto Príncipe	Haití	Basorplast BPI PVC
EXTENSION PUERTO PRINCIPE	Puerto Príncipe	Haití	Basortray ERE PG
HOSPITAL DR. R. HERNÁNDEZ	Ciudad de Panamá	Panama	Basorfil BFR EZ
FERNANDO PESSOA HOSPITAL	Gondomar	Portugal	Basortray ERE PG
HOSPITAL OF CAMPANAR SPECIAL PAVILIONS FOR COVID-19	Valencia	Spain	Basortray ERE PG
SPECIAL CAMPAIGN HOSPITAL LA FE FOR COVID-19	Valencia	Spain	Basortray ERE PG



BEGREEN
CableManagementSystems

BE Basor
CABLE TRAY SPECIALIST

BASOR ELECTRIC S.A Headquarters

Avenida Alcodar 45-47
46701 Gandia SPAIN

+34 962876695
basor@basor.com
www.basor.com


@basorelectric


[www.linkedin.com/
company/basor-electric-sa](https://www.linkedin.com/company/basor-electric-sa)


[www.youtube.com/user/
basorelectric](https://www.youtube.com/user/basorelectric)